

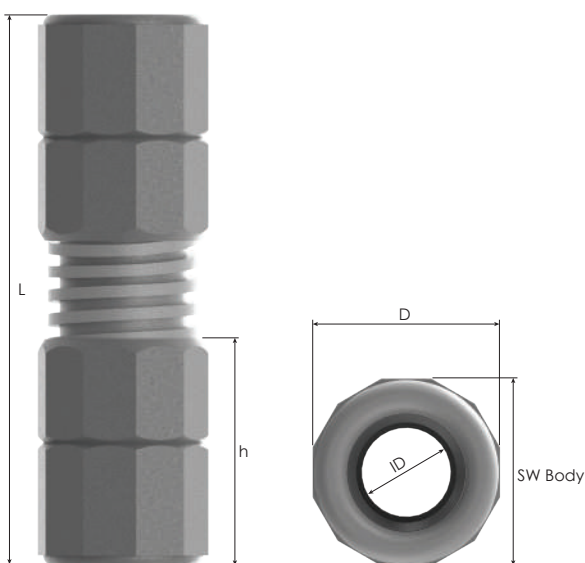
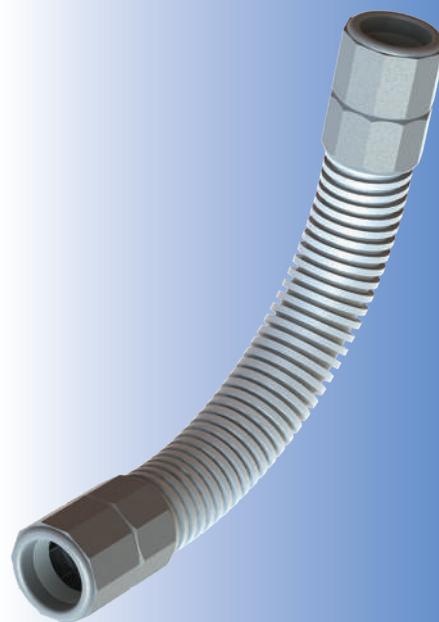
Flexible Fittings Polyamide

Flexible Fitting Set

- Halogen free.
- No toxic fumes when involved in a fire.
- For conduit tubes.
- For all kind of curves in electrical installations.
- Combination of two conduit unions with a flexible conduit.

Technical Details

Material	Fitting	Polyamide 6 Halogene free
	Seal	TPE Halogene free
Ingress Protection Rating	IP 67	
Operating Temperature	Permanent -20 °C to +80 °C	
Remarks	<ul style="list-style-type: none"> • It is the combination of two conduit unions with a suitable flexible conduit. • It may be used for all kind of curves in the electrical installation. • This set can be easily fitted with the right conduits. 	



Flexible Fitting Set

Size	For Conduit Nominal Size	Spanner Width Body	Outer Ø	Inner Ø	Height	Total Length	Part Number	Minimum Order Quantity
							RAL 7035 light grey	
M16	16,0	26	26,4	16,5	49,0	210	BRC90F-01	400
M20	20,0	30	31,3	20,4	47,7	240	BRC90F-02	250
M25	25,0	35	36,0	25,3	49,0	290	BRC90F-03	160
M32	32,0	42	43,4	32,2	48,7	400	BRC90F-04	70
M40	40,0	50	52,0	40,5	61,5	420	BRC90F-05	50
M50	50,0	62	63,3	50,5	61,5	440	BRC90F-06	30