



## EMC 3 Cable Glands Lead-Free Brass

### EMC 3 cable glands with moving spring contact

- Specially designed EMC protective cable glands.
- Lead-free.
- Long-lasting contact by high definition contact spring.
- Moving spring contact offers reduced risk of sheath damage.
- Easy assembly: install cable gland - prepare cable sheath - insert cable - tighten cap.
- High quality strain relief and sealing, reliable performance for EMC applications.
- Up-to-date international approvals.

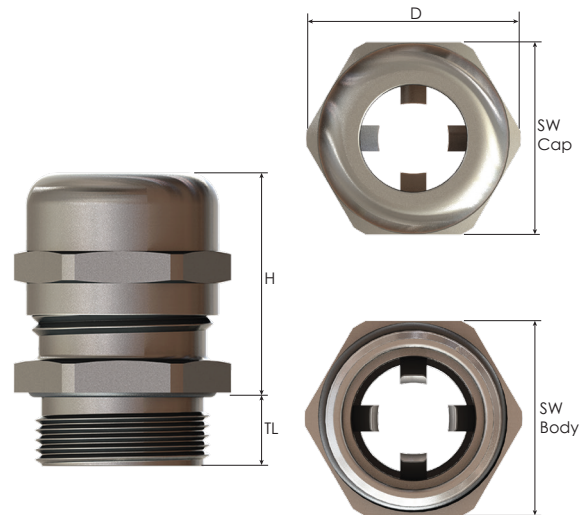
#### Technical Details

<b>Material</b>	<b>Body, Cap</b>	Lead-free brass, Nickel plated	
	<b>Seal</b>	CR (Chloroprene)	
	<b>Clamping Insert</b>	PA 6 (Polyamide 6)	
	<b>Contact Spring</b>	Special Copper Alloy	
	<b>O-Ring</b>	NBR	
<b>Ingress Protection Rating</b>	IP 68 - 5 Bar, 30 min		
<b>Flammability</b>	V2 according to UL94		
<b>UL Environmental Rating</b>	TYPE 4X acc. to UL 50E		
<b>Operating Temperature</b>	<b>Permanent</b>	-20 °C to +100 °C	<b>Intermittent</b>
			-40 °C to +150 °C
<b>Thread Type</b>	• Metric EN 60423		
<b>Cable Type</b>	Shielded		
<b>Accessories</b>	<ul style="list-style-type: none"> <li>• EMC Lock nuts</li> <li>• Dome plugs</li> <li>• Gaskets (Washers)</li> </ul>		
<b>Remarks</b>	<ul style="list-style-type: none"> <li>• In compliance with DIN EN 62444.</li> <li>• We recommend the use lock nuts and gaskets to ensure IP rating for rough surfaces or through holes.</li> <li>• Some approvals do not cover all sizes.</li> <li>• O-ring available in Metric thread as a standard.</li> <li>• Accessories must be ordered separately.</li> <li>• Other lock nut types also available upon request.</li> </ul>		
<b>Approvals</b>	<b>Certificate Number</b>	<b>Standards</b>	
	40039349	In progress	
	E199260	In progress	

For details of approvals, see our website.



## EMC 3 Cable Glands Lead-Free Brass



Thread Type **METRIC** acc. to EN 60423

Outer Thread Size (Male)	Clamping Range Ø min-max mm	Shield Diameter Ø min-max mm	Outer Thread Length TL mm	Spanner Width		Outer Ø D mm	max. Height H mm	Part Number
				Cap SW Cap mm	Body SW Body mm			
M12x1,5	3,0 - 6,5	2,5 - 4,5	6,0	14	14	15,5	24,0	BMEM-ES (LF)
M16x1,5	5,0 - 10,0	4,0 - 8,0	7,0	20	20	22,0	32,0	BMEM-E1 (LF)
M20x1,5	6,0 - 12,0	5,0 - 10,0	8,0	22	22	24,5	29,5	BMEM-E2 (LF)
M25x1,5	11,0 - 17,0	9,5 - 15,0	8,0	27	27	30,0	33,5	BMEM-E3 (LF)
M32x1,5	15,0 - 21,0	13,5 - 19,0	8,0	34	34	37,5	38,0	BMEM-E4 (LF)
M40x1,5	19,0 - 28,0	17,0 - 25,0	9,0	43	43	48,5	48,0	BMEM-E5 (LF)
M50x1,5	27,0 - 38,0	25,0 - 32,0	9,0	58	58	64,0	56,0	BMEM-E6 (LF)
M63x1,5	34,0 - 44,0	31,0 - 41,0	14,0	64	68	75,0	59,5	BMEM-E7 (LF)

