

Technical Data Sheet - Metal Locknuts

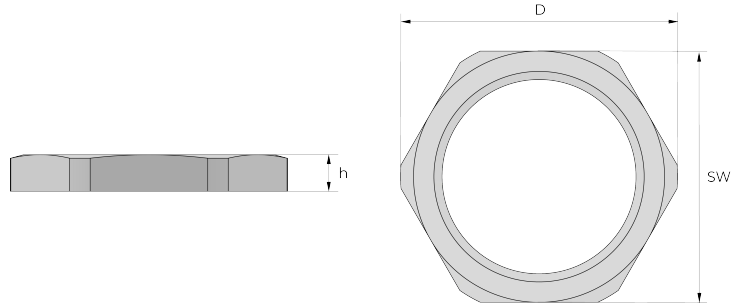
General

It is an accessory used to secure cable gland
It is designed for use in non-threaded holes on enclosures



Technical

Material: Nickel Plated Brass, Stainless Steel
Thread Type: Metric, NPSL, PG, G



Thread Size 'F'	SW	Outer Ø 'D'	Height 'H'	MOQ	Product Code
PG 42	60	66.0	5.0	400	BSL-09

Certificates

Bimed Teknik Aletler San. ve Tic. A. Ş.

Özar Sanayi Bölgesi, Deliklikaya Mh. Yüzbasi Mehmet Hilmi Cd. No.28/1 Arnavutköy 34555 / İstanbul / Türkiye

T: +90 212 875 73 76

bimedteknik.com

info@bimedteknik.com

