

## Technical Data Sheet - Metal Locknuts

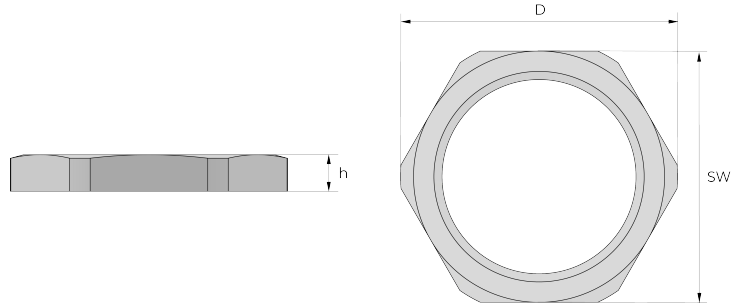
### General

It is an accessory used to secure cable gland  
It is designed for use in non-threaded holes on enclosures



### Technical

Material: Nickel Plated Brass, Stainless Steel  
Thread Type: Metric, NPSL, PG, G



Thread Size 'F'	SW	Outer Ø 'D'	Height 'H'	MOQ	Product Code
M80x2,0	90	100.0	8.0	100	BMBL-11

### Certificates

#### Bimed Teknik Aletler San. ve Tic. A. Ş.

Özar Sanayi Bölgesi, Deliklikaya Mh. Yüzbaşı Mehmet Hilmi Cd. No.28/1 Arnavutköy 34555 / İstanbul / Türkiye

T: +90 212 875 73 76

[bimedteknik.com](http://bimedteknik.com)

[info@bimedteknik.com](mailto:info@bimedteknik.com)

