

Technical Data Sheet - Metal Locknuts

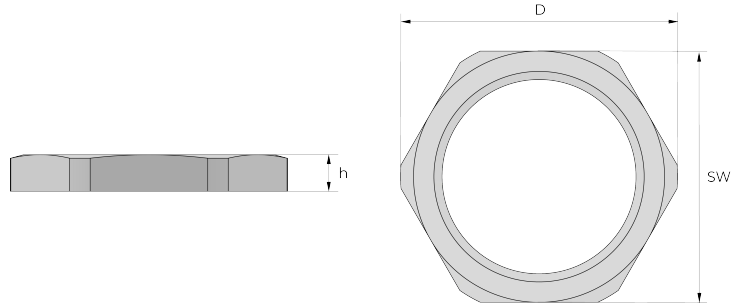
General

It is an accessory used to secure cable gland
It is designed for use in non-threaded holes on enclosures



Technical

Material: Nickel Plated Brass, Stainless Steel
Thread Type: Metric, NPSL, PG, G



| Thread Size 'F' | SW | Outer Ø 'D' | Height 'H' | MOQ | Product Code |
|-----------------|----|-------------|------------|------|--------------|
| M32x1,5 | 36 | 39.5 | 5.0 | 1200 | BMBL-05 |

Certificates

Bimed Teknik Aletler San. ve Tic. A. Ş.

Özar Sanayi Bölgesi, Deliklikaya Mh. Yüzbaşı Mehmet Hilmi Cd. No.28/1 Arnavutköy 34555 / İstanbul / Türkiye

T: +90 212 875 73 76

bimedteknik.com

info@bimedteknik.com

