

## Technical Data Sheet - Metal Locknuts

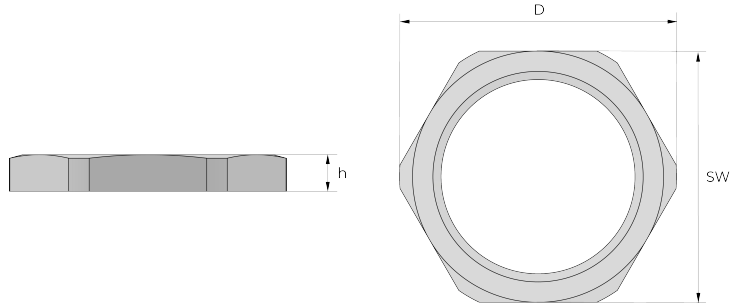
### General

It is an accessory used to secure cable gland  
It is designed for use in non-threaded holes on enclosures



### Technical

Material: Nickel Plated Brass, Stainless Steel  
Thread Type: Metric, NPSL, PG, G



| Thread Size 'F' | SW | Outer Ø 'D' | Height 'H' | MOQ  | Product Code |
|-----------------|----|-------------|------------|------|--------------|
| M16x1,5         | 19 | 21.0        | 3.0        | 5000 | BMBL-02      |

### Certificates

#### Bimed Teknik Aletler San. ve Tic. A. Ş.

Özar Sanayi Bölgesi, Deliklikaya Mh. Yüzbaşı Mehmet Hilmi Cd. No.28/1 Arnavutköy 34555 / İstanbul / Türkiye

T: +90 212 875 73 76

[bimedteknik.com](http://bimedteknik.com)

[info@bimedteknik.com](mailto:info@bimedteknik.com)

