

Technical Data Sheet - Locknuts Flanged

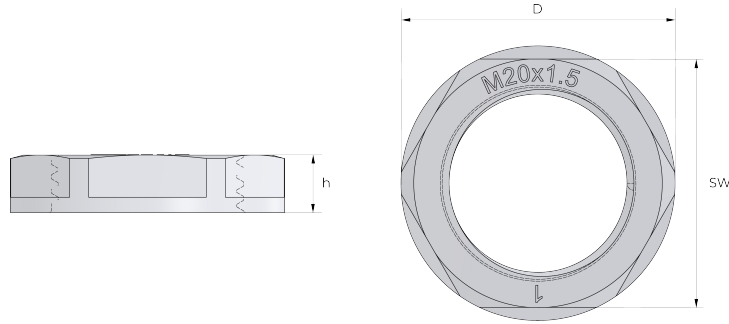
General

It is an accessory used to secure cable gland
It is designed for use in non-threaded holes on enclosures



Technical

Material	Polyamide 6 (30 % Glass Fiber Reinforced)
Flammability	HB according to UL94
Operating Temperature	-20°C to +100°C
Thread Type	Metric, NPT, PG, PF/G



Thread Size 'F'	SW	Outer Ø 'D'	Height 'H'	MOQ	RAL 7035	RAL 7001	RAL 9005
M32x1,5	41.0	46.1	7.0	2500	BML-14	BML-04	BML-24

Certificates

Bimed Teknik Aletler San. ve Tic. A. Ş.

Özar Sanayi Bölgesi, Deliklikaya Mh. Yüzbaşı Mehmet Hilmi Cd. No.28/1 Arnavutköy 34555 / İstanbul / Türkiye

T: +90 212 875 73 76

bimedteknik.com

info@bimedteknik.com

