

bimedCLEAN

Products

bimedCLEAN Products



bimed

TEKNIK ALETLER SANAYI ve TICARET A.S.

TURKEY / Head Office and Factory

Bakir ve Pirinc Sanayi Sitesi, Orkide Caddesi Nr.15

34524 Beylikduzu ISTANBUL -TURKEY

Telephone: +90.212.875 73 76 / +90.212.875 73 77

Telefax: +90.212.875 08 23 / +90.212.875 70 52

bimedteknik@bimedteknik.com

www.bimedteknik.com

GERMANY / Branch

Liebkechtstr. 33

70565 Stuttgart GERMANY

Telephone: +49 (0)711 7811-553

Telefax: +49 (0)711 7811-555

kk@bimedteknik.de

EGYPT / Branch

The 47th building, 4th Floor ,Office 417 ,

North 90 Street, Section 1/5 th Settlement

New Cairo, 11835 EGYPT

Telephone: +202 25032847

Telefax: +202 25032801

milad@bimedteknik.com

NORTH AMERICA / Branch

44 Ambleside Ave.

Toronto Ontario M8Z 2H7 CANADA

Telephone: 1 (416) 354 2537

Telefax: 1 (416) 354 2537

rk@bimedteknik.com

RUSSIA / Branch

Kompozitorov Street. 12A, K. 328

Saint Petersburg, 194355 RUSSIA

Tel : +7 (812) 903 1604

Gsm: +7 (921) 903 1604

oleg.gavrilov@bimedteknik.com

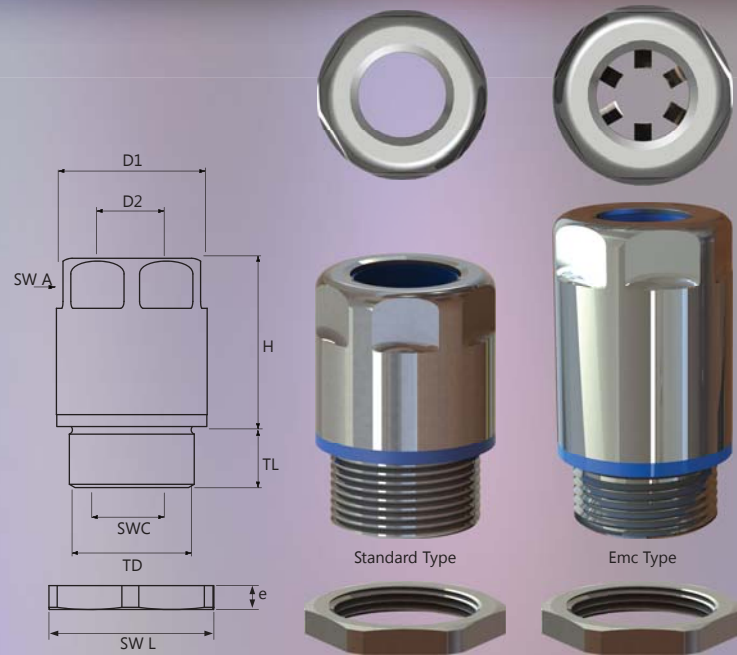
Become cleaner, better
and more productive with
bimedCLEAN™

Hygienic Glands & Fittings



bimed Hygienic Glands

Technical Details		
Material	Body	Stainless steel 1.4305 (AISI 303) other stainless steel grades available upon request
	Cap	Stainless steel 1.4305 (AISI 303) other stainless steel grades available upon request
	Gasket	TPE, according to FDA guideline 21 CFR 177.2600
	Clamping Insert	POM
	Locknut	Stainless steel 1.4305 (AISI 303)
Emc Type	Contact Spring	Special Copper alloy
Protection Class	Permanent	IP 68 (5 bar, 30 min), according to EN 60 529
	Intermittent	IP 69K, according to DIN 40050-9
Operating Temperature	Permanent	-20 °C up to +100 °C
	Intermittent	-40 °C up to +150 °C
Attachment Thread		Metric, according to EN 60423 Pg and NPT upon request
Accessories		Locknuts, included
		Assembling tools
Benefits		Smooth finish prevents harmful micro organisms to adhere to the surface
		No threads are exposed
		Cleaning of cable glands is easier, faster and less expensive compared to traditional stainless steel cable glands
		Reliable strain relief due to strain relief element separated from gasket
		Suitable for high pressure steam cleaning
Application areas		Manufacturing and packaging of food and pharmaceuticals
		Clean room technology
		Biotechnology
		Chemical industry

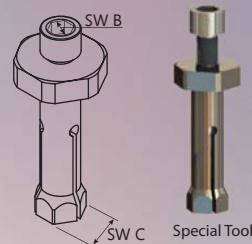
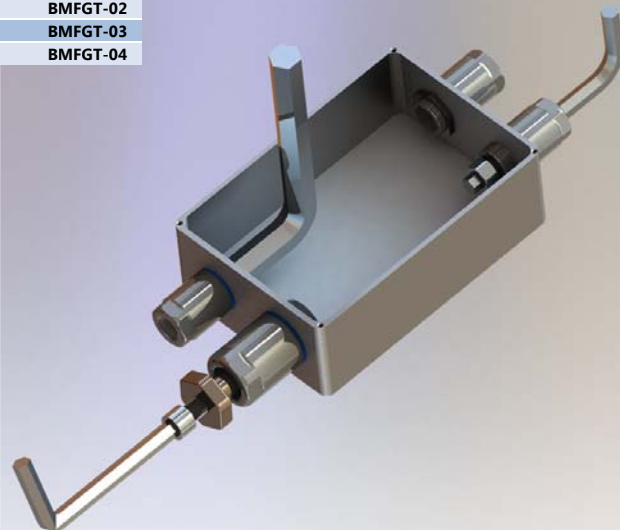
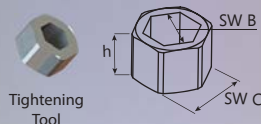


STANDARD TYPE													
Thread Type	Cable Clamping Range mm	Cable Gland Dimensions								Locknut Dimensions			Code
		SW A mm	SW C mm	TD mm	D1 mm	D2 mm	H mm	TL mm	Recommended Cap Tightening Torque Nm	SW L mm	e mm	Recommended Locknut Tightening Torque Nm	
M12x1,5	3,0-6,5	14,0	7,0	12,0	15,6	6,8	21,5	6,0	2,5	15	2,8	6,0	BMFGX-0S
M16x1,5	5,0-10,0	18,0	10,0	16,0	20,2	10,3	23,0	7,0	4,0	19	3,0	9,0	BMFGX-01S
M20x1,5	6,0-12,0	22,0	13,0	20,0	24,1	12,3	27,0	10,0	5,0	24	3,5	12,0	BMFGX-02S
M25x1,5	12,0-17,0	28,0	17,0	25,0	30,1	17,3	30,0	14,0	6,0	30	4,0	14,0	BMFGX-03S

EMC TYPE													
Thread Type	Cable Clamping Range mm	Cable Gland Dimensions								Locknut Dimensions			Code
		SW A mm	SW C mm	TD mm	D1 mm	D2 mm	H mm	TL mm	Recommended Cap Tightening Torque Nm	SW L mm	e mm	Recommended Locknut Tightening Torque Nm	
M16x1,5	5,0-10,0	18,0	10,0	16,0	20,2	10,3	28,5	7,0	4,0	19	3,0	9,0	BMEFGX-01S
M20x1,5	6,0-12,0	22,0	13,0	20,0	24,1	12,3	33,0	10,0	5,0	24	3,5	12,0	BMEFGX-02S
M25x1,5	12,0-17,0	28,0	17,0	25,0	30,1	17,3	38,0	14,0	6,0	30	4,0	14,0	BMEFGX-03S

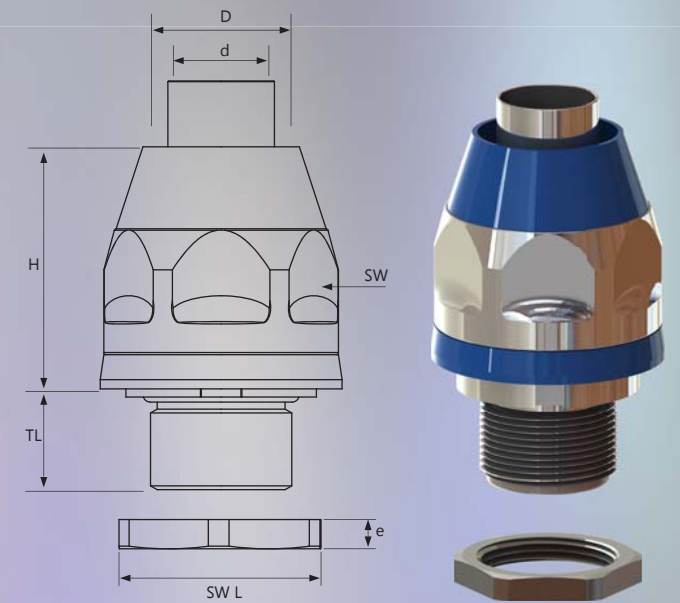
TIGHTENING TOOL				
Gland Type	Tool Dimensions			Code
	SW B mm	SW C mm	h mm	
M12	5	7	5	BMFGT-01
M16	6	10	5	BMFGT-02
M20	8	13	8	BMFGT-03
M25	10	17	8	BMFGT-04

SPECIAL TOOL				
Gland Type	Tool Dimensions			Code
	SW B mm	SW C mm	h mm	
M16	6	10	5	BMFGST-02
M20	8	13	8	BMFGST-03
M25	10	17	8	BMFGST-04



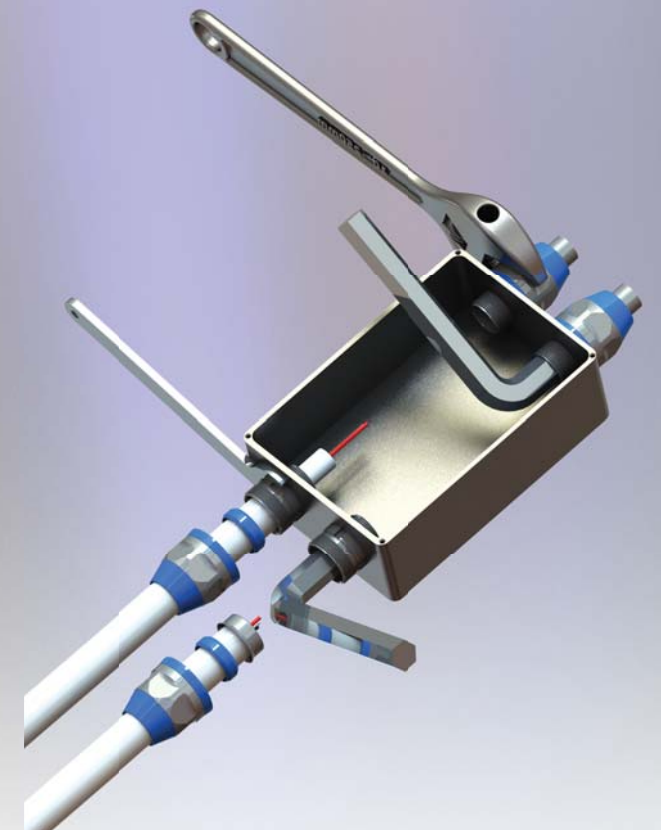
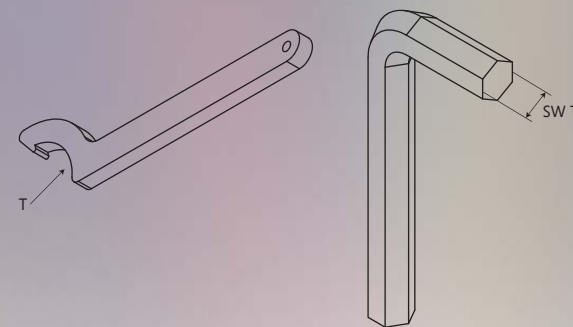
bimed Hygienic Fittings

Technical Details		
Material	Body	Stainless steel 1.4404 (AISI 316L) other stainless steel grades available upon request
	Cap	Stainless steel 1.4404 (AISI 316L) other stainless steel grades available upon request
	Gasket	TPE, according to FDA guideline 21 CFR 177.2600
	Ferrule	Brass, Nickel plated
	Locknut	Stainless steel 1.4305 (AISI 303)
Protection Class		IP 68 (5 bar, 30 min), according to EN 60 529 IP 69K, according to DIN 40050-9
Operating Temperature	Permanent	-20 °C up to +100 °C
	Intermittent	-40 °C up to +150 °C
Attachment Thread		Metric, according to EN 60423 Pg and NPT upon request
Accessories		Locknuts
Benefits		Smooth finish prevents harmful micro organisms to adhere to the surface
		No threads are exposed
		Cleaning of cable glands is easier, faster and less expensive compared to traditional stainless steel cable glands
		Reliable strain relief due to strain relief element separated from gasket
		Suitable for high pressure steam cleaning
Application areas		Manufacturing and packaging of food and pharmaceuticals
		Clean room technology
		Biotechnology
		Chemical industry



Thread Type	Conduit Size	Fitting Dimensions						Locknut Dimensions		Code
		H mm	TL mm	TD mm	D mm	d mm	SW mm	SW L mm	e mm	
M16x1,5	M24x1,5/M16x1,5	36,8	11,5	16,0	17,2	12,0	27	19	3,0	BMHFX-01
M20x1,5	M27x1,5/M20x1,5	37,3	13,0	20,0	20,5	15,0	30	24	3,5	BMHFX-02
M25x1,5	M33x1,5/M25x1,5	42,4	15,0	25,0	25,8	20,0	36	30	4,0	BMHFX-03
M32x1,5	M42x1,5/M32x1,5	52,8	15,0	32,0	32,4	25,7	46	36	5,0	BMHFX-04
M40x1,5	M50x1,5/M40x1,5	58,9	16,0	40,0	41,2	34,2	54	46	5,0	BMHFX-05
M50x1,5	M58x2,0/M50x1,5	63,3	18,0	50,0	46,9	39,2	63	60	5,0	BMHFX-06
M63x1,5	M72x2,0/M63x1,5	68,6	20,0	63,0	59,0	50,0	77	70	6,0	BMHFX-07

TIGHTENING TOOL		
Fitting Type	Tool Dimensions	
	Ø T mm	SW T mm
M16	24	11
M20	27	14
M25	33	19
M32	42	25
M40	50	32
M50	58	36
M63	72	48



Installation instruction:



or
www.bimedclean.com